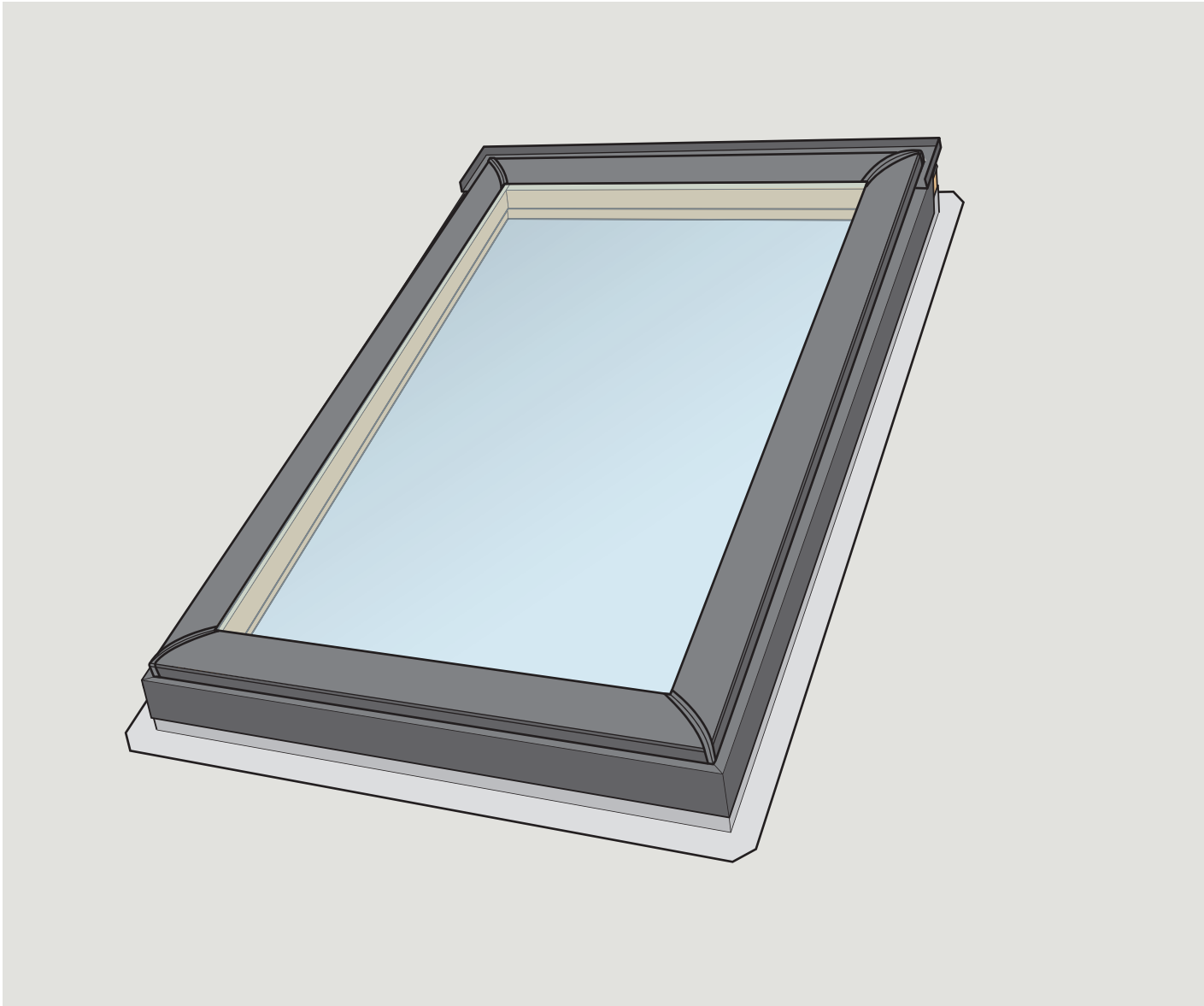


# VS/VSE



**ENGLISH:** VS/VSE Deck Mounted Skylight Installation Instructions



## **ENGLISH: Index**

Page 2	Installation check list
Page 3	Important installation requirements
Page 4	Warning
Page 5	Planning
Pages 6-8	Preparing roof and mounting skylight
Pages 9-10	Installing underlayment
Page 11	Flashing
Pages 12-13	Electrical connection (VCE only)

## **ENGLISH: Installation check list**

Installer should verify:

- VS and VSE deck mounted skylights are installed in roof pitches from 14° to 85°.
- Rough opening is dimensioned correctly according to these installation instructions.
- Skylight is properly wrapped in VELUX adhesive skylight underlayment according to installation instructions supplied with the underlayment.
- Proper VELUX flashing for the actual roofing material is installed according to installation instructions supplied with the flashing.
- Skylight cladding is properly secured and counter-flashed over all flashing on the skylight frame.
- External rain sensor is secured to flashing or rain sensor mounting bracket at bottom frame of VSE skylight.
- Skylight and accessories operate properly.
- Customer is informed of the required maintenance of the product as found at [www.velux.com](http://www.velux.com).
- Customer is informed of the warranty claim procedure. For full VELUX warranty, go to [www.velux.com](http://www.velux.com).

**IMPORTANT:** Failure to follow the above check list or to install the skylight, flashing and blinds in accordance with VELUX instructions could void the VELUX warranty.

## **ENGLISH: Important installation requirements**

### **Roof pitch**

VS/VSE is designed for roof pitches 14°-85° (3:12 - 137:12). In case of roof pitches below 14° (3:12), call VELUX for installation guidelines.

### **Importance of proper installation**

Satisfactory product performance depends on proper installation.

Seller accepts no responsibility whatsoever for failure of an installer to install VELUX® roof windows and skylights in accordance with these installation instructions. Although VELUX roof windows and skylights are designed and manufactured to the highest standards, severe climatic exposure as well as adverse indoor conditions (i.e. high humidity) may produce temperature conditions which exceed product performance standards. In these cases, special preventive measures may be necessary.

Seller reserves the right to implement product changes for improvement without prior notification.

### **Operation and accessories**

**VS:** Deck mounted skylight VS is designed for manual operation and prepared for solar accessories.

**VSE:** Deck mounted skylight VSE is designed for electrical operation and prepared for electrical accessories.

### **Vapor barrier**

Where a vapor barrier is part of the roof construction, this barrier must be extended and connected to the skylight finish groove.

### **Treatment of wooden frame**

Most VELUX skylights are pre-painted white but the option exists to order stain grade skylights. These stain grade skylights received a temporary treatment against mold and mildew. Further treatment with wood stain, paint etc is necessary and can be done prior to installation or shortly after installation. Care should be taken to ensure wood stain, paint etc is not applied to gaskets.

**Seller assumes no obligation whatsoever for failure of an architect, installer or building owner to comply with all applicable laws, ordinances, building codes and safety requirements.**

### **NOTICE**

All glass may be subject to unexpected and spontaneous breakage in rare circumstances due to imperfections in the glass that are undetectable during the manufacturing and inspection process by the manufacturer of the glass and VELUX. VELUX offers the choice of laminated or tempered glass skylights. Laminated glass is a combination of two or more glass sheets with one or more interlayers of plastic (PVB) or resin. In case of breakage, the interlayer is designed to hold the fragments together. Tempered glass does not contain an interlayer to hold the fragments together. Instead, tempered glass is designed to break into small, pebble-like pieces. When tempered glass breaks, pieces of glass come loose and may strike an individual.

**Consult local regulations and/or building material consultants to determine which type of glass is right for you or if laminated glass is required in your application.**

**ENGLISH:**

**⚠ WARNING**

**Electrical connection**

It is customer's responsibility:

- To contact a qualified electrical installer.
- To assure that the electrical installation is adequate and in conformity with National Electric Code, ANSI/NFPA 70 - latest edition\*, and all local codes and ordinances.

Failure to do so could result in fire, electrical shock, other serious personal injury or death.

Deck mounted skylight VSE is designed for use in both in-reach and out-of-reach places. To reduce the risk of fire, personal injury and death:

- Do not install it in a location or at a height where unsupervised children may be present.
- Always switch off power to the operator at the service panel when connecting the skylight, when installing accessories and whenever the operator cover is removed.
- On suspicion of malfunction, switch off power and call for service.
- Observe that the rain sensor activates closing function when touched or getting wet.
- Never let children play with the skylight. Keep remote control away from children.
- Beware of potential for serious personal injury or death.

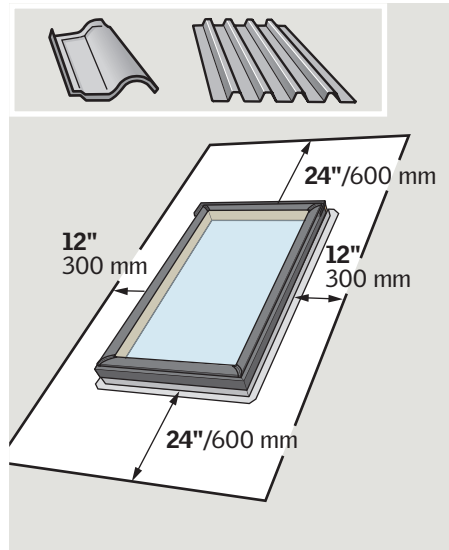
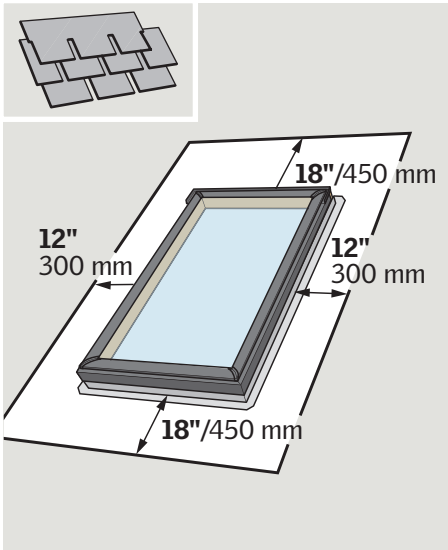
**Electrical Shock Hazard**

- The skylight operator is a class I product.
- Disconnect power to the junction or outlet box before servicing the skylight.
- Do not have a fuse in the neutral circuit. This could result in a fire, electrical shock or other personal injury.

\*National Fire Protection Association, Battery-march Park, Quincy Massachusetts 02269.

**Save these installation instructions. Consult user manual for important safety warnings.**

**ENGLISH:** Clearance around installations

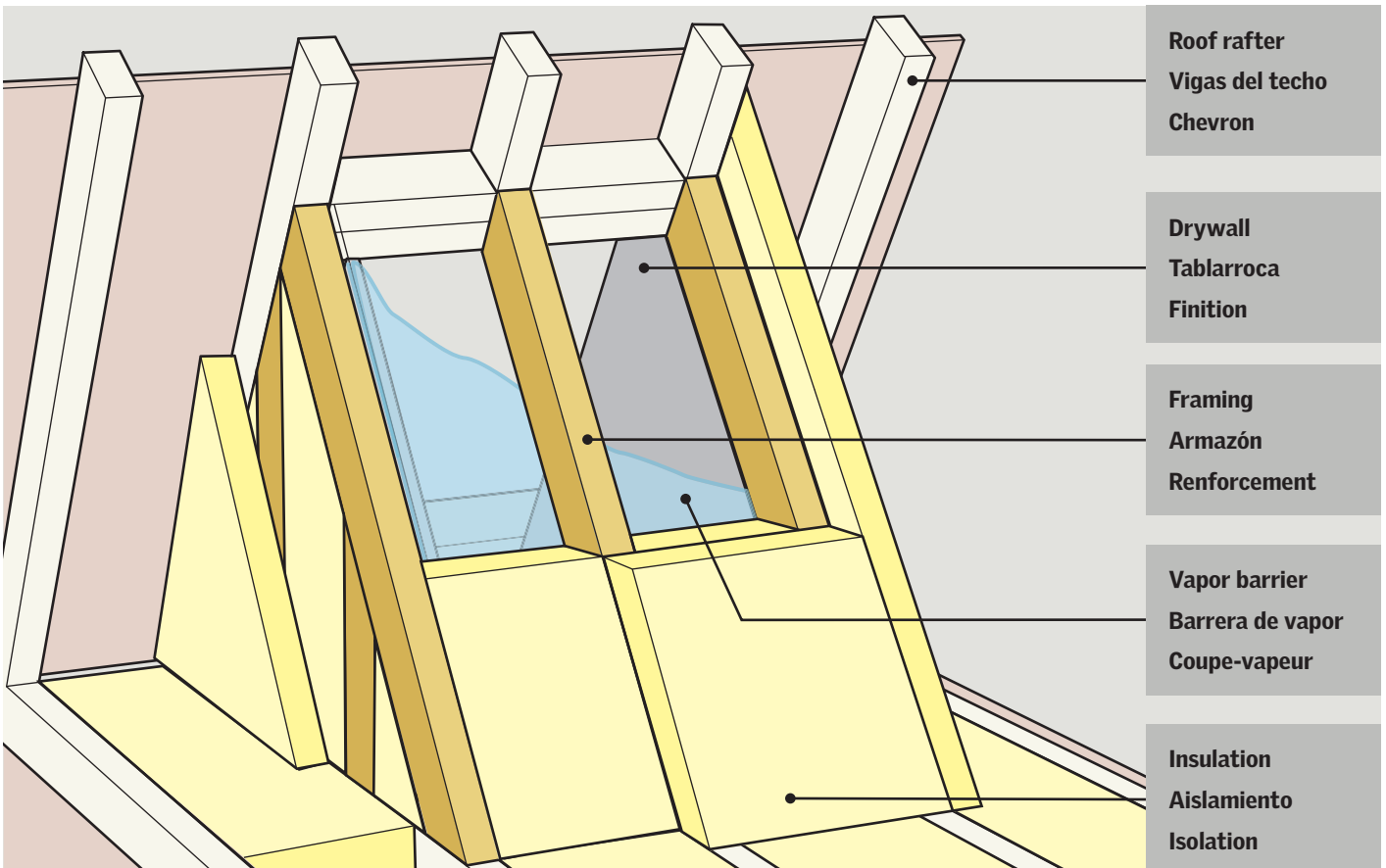


**ENGLISH:** Maintain illustrated clearances between skylight frame and critical areas such as valleys, ridges, slope changes and roof to wall intersections. When installing skylights side by side within the span 2½" (65 mm) - 12" (300 mm), please refer to VELUX combi-flashing instructions.

**ENGLISH:** Light shaft application

**ESPAÑOL:** Aplicación del hueco de luz

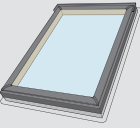
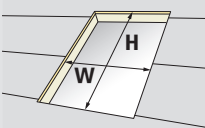
**FRANÇAIS :** Ouverture du puits de lumière

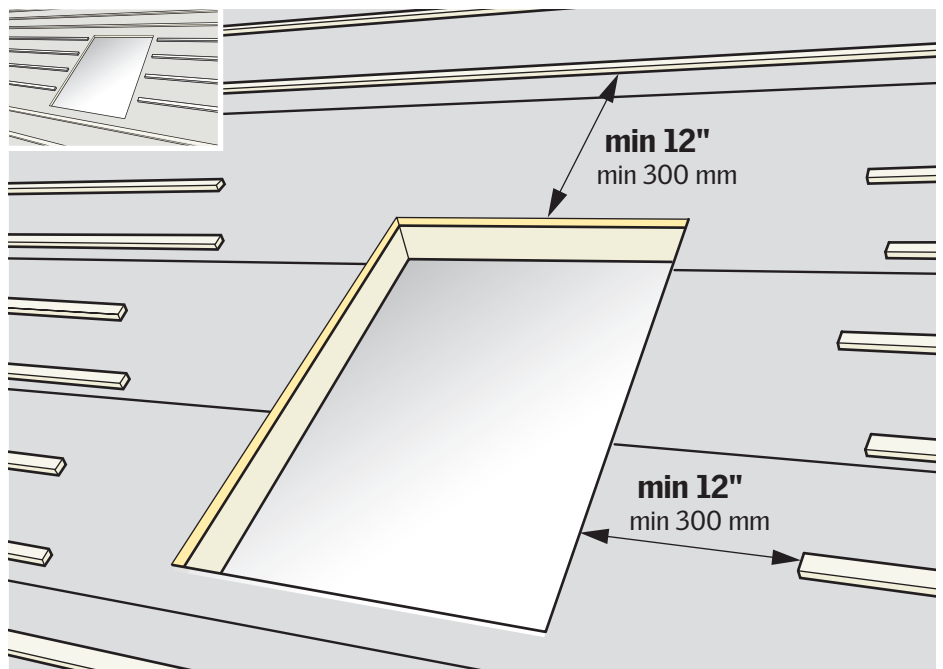
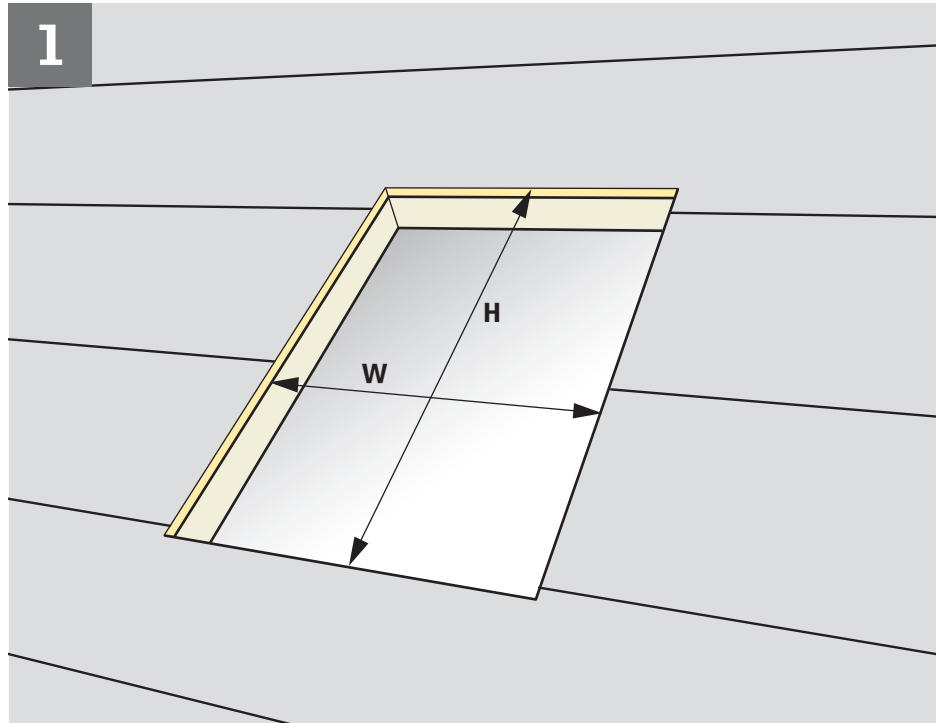


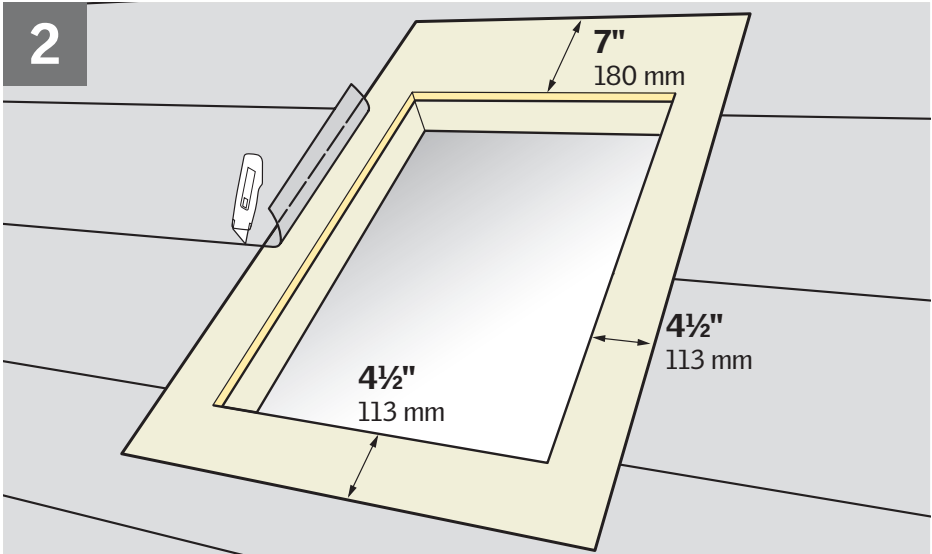
**ENGLISH:** Cut rough opening according to the measurements in the chart.

**Roof with battens:**

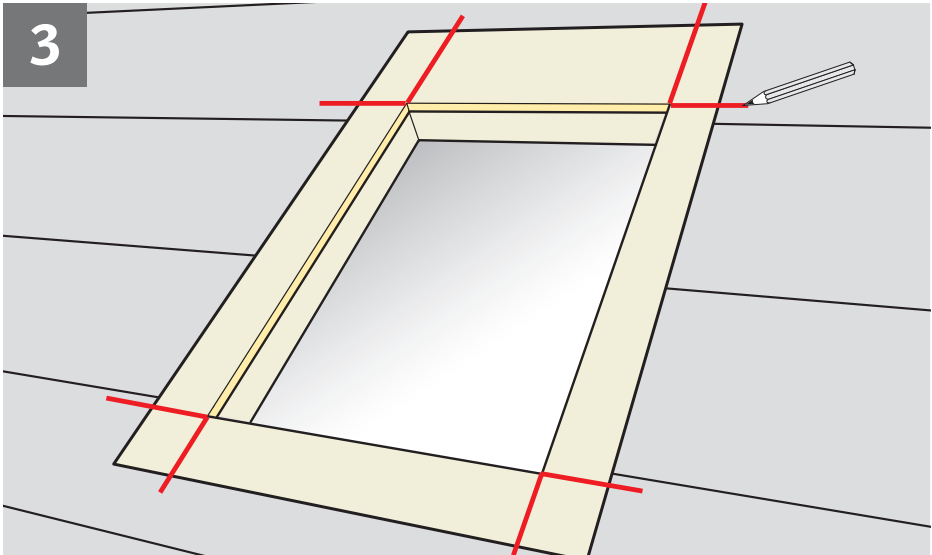
Clear battens away from rough opening to allow for proper installation of underlayment.

	
Skylight size	Rough opening
Tamaño del tragaluz	Medida del hueco
Taille du puits de lumière	Dimensions de l'ouverture brute
<b>A06</b>	14 <sup>1</sup> / <sub>2</sub> " x 45 <sup>3</sup> / <sub>4</sub> " 368 mm x 1162 mm
<b>C01</b>	21" x 26 <sup>7</sup> / <sub>8</sub> " 533 mm x 682 mm
<b>C04</b>	21" x 37 <sup>7</sup> / <sub>8</sub> " 533 mm x 962 mm
<b>C06</b>	21" x 45 <sup>3</sup> / <sub>4</sub> " 533 mm x 1162 mm
<b>C08</b>	21" x 54 <sup>7</sup> / <sub>16</sub> " 533 mm x 1382 mm
<b>C12</b>	21" x 70 <sup>1</sup> / <sub>4</sub> " 533 mm x 1784 mm
<b>D26</b>	22 <sup>1</sup> / <sub>2</sub> " x 22 <sup>15</sup> / <sub>16</sub> " 572 mm x 582 mm
<b>D06</b>	22 <sup>1</sup> / <sub>2</sub> " x 45 <sup>3</sup> / <sub>4</sub> " 572 mm x 1162 mm
<b>M02</b>	30 <sup>1</sup> / <sub>16</sub> " x 30" 763 mm x 762 mm
<b>M04</b>	30 <sup>1</sup> / <sub>16</sub> " x 37 <sup>7</sup> / <sub>8</sub> " 763 mm x 962 mm
<b>M06</b>	30 <sup>1</sup> / <sub>16</sub> " x 45 <sup>3</sup> / <sub>4</sub> " 763 mm x 1162 mm
<b>M08</b>	30 <sup>1</sup> / <sub>16</sub> " x 54 <sup>7</sup> / <sub>16</sub> " 763 mm x 1382 mm
<b>S01</b>	44 <sup>1</sup> / <sub>4</sub> " x 26 <sup>7</sup> / <sub>8</sub> " 1123 mm x 682 mm
<b>S06</b>	44 <sup>1</sup> / <sub>4</sub> " x 45 <sup>3</sup> / <sub>4</sub> " 1123 mm x 1162 mm

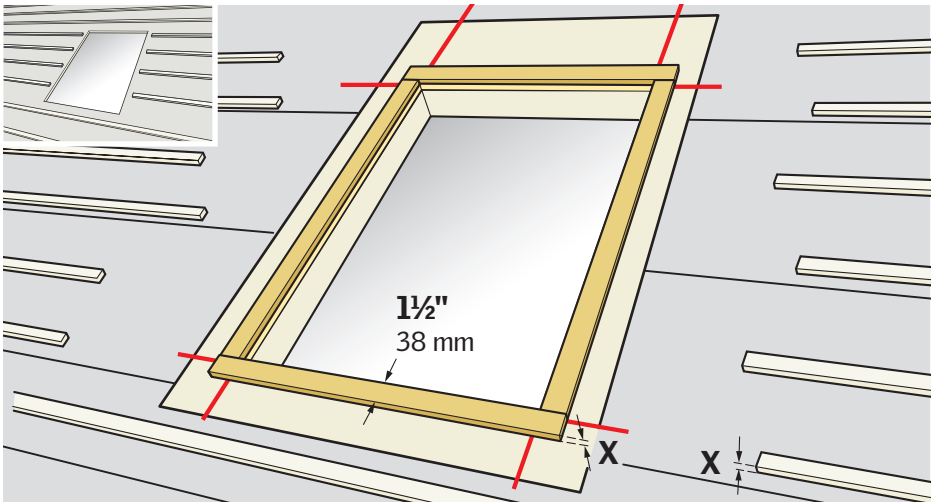




**ENGLISH:** Remove existing roofing underlayment around the rough opening as shown.

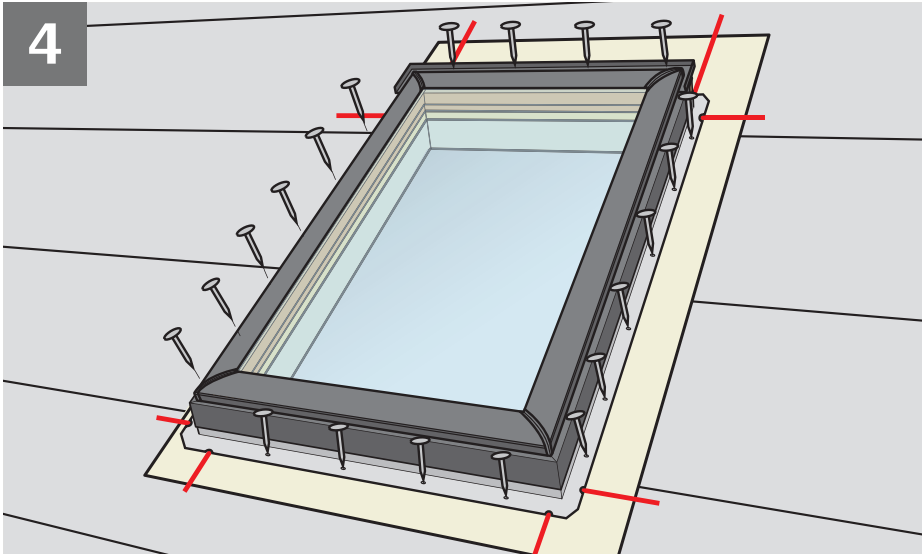


**ENGLISH:** Mark corners of the rough opening.

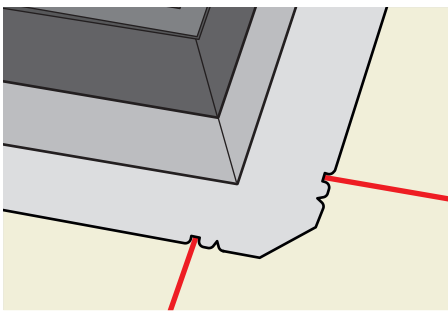


**ENGLISH: Roof with battens:** Place 1 1/2" (38 mm) wide battens around rough opening. Batten thickness around rough opening should be equal to thickness of battens used for roofing material.

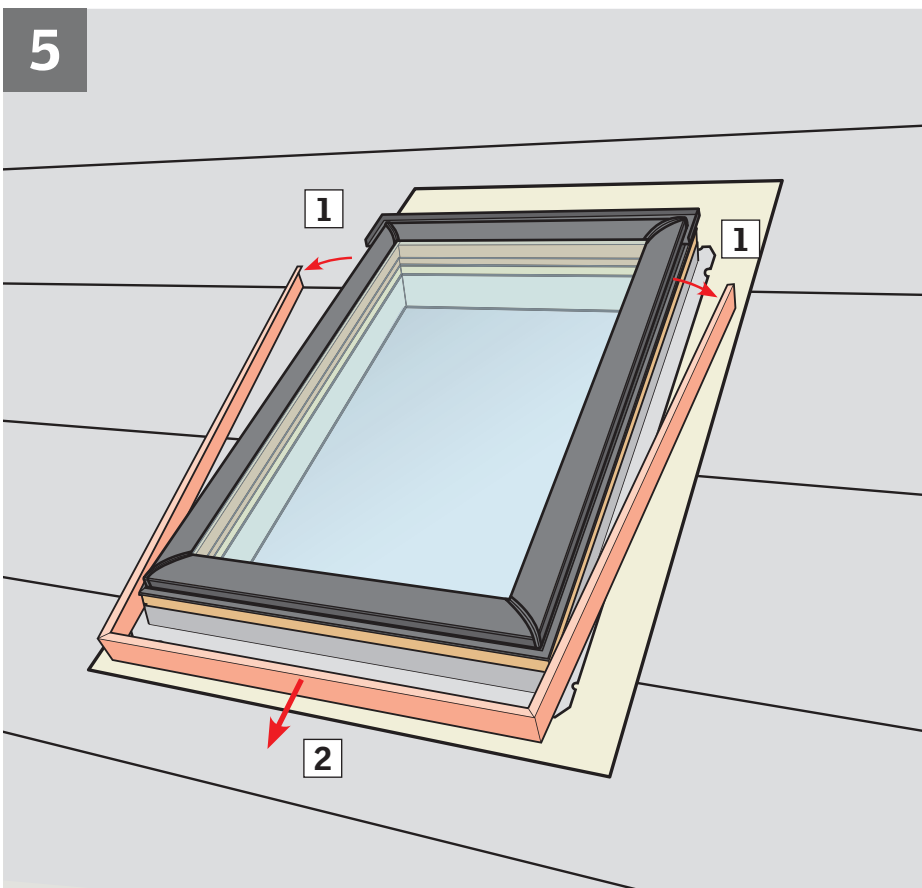
4



**ENGLISH:** Center the skylight over the rough opening as shown. Attach skylight with fasteners provided.

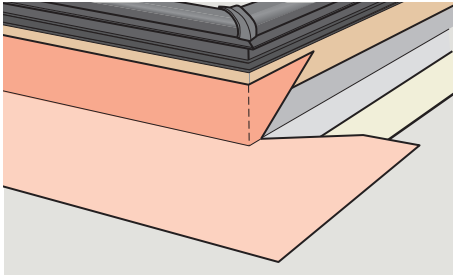
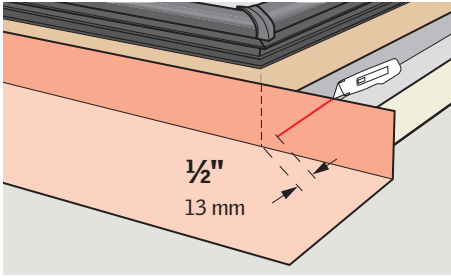
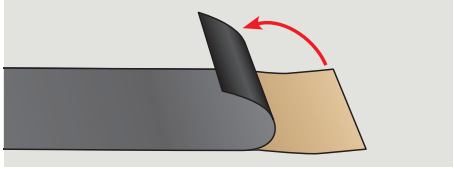
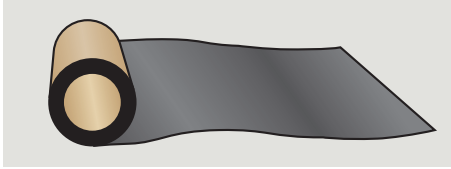
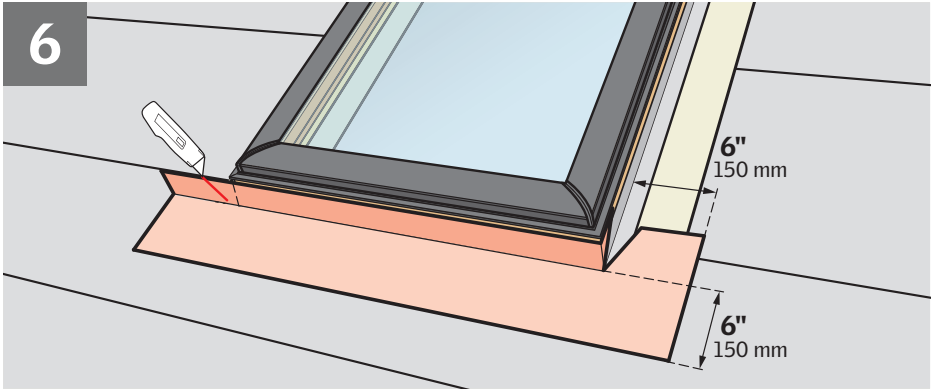


5



**ENGLISH:** To properly install VELUX adhesive skylight underlayment, remove cladding as shown.





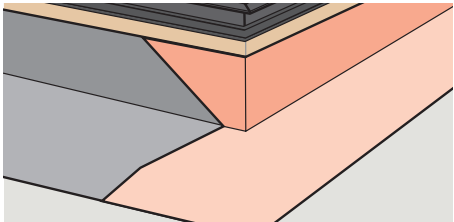
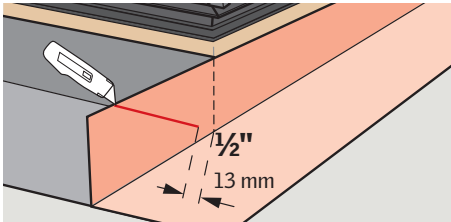
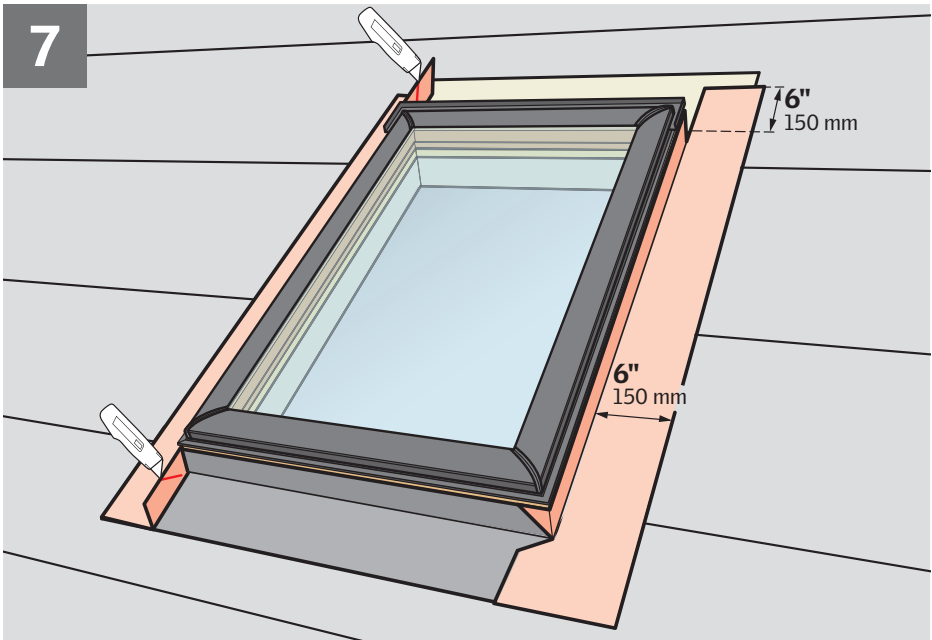
**ENGLISH:** To ensure waterproofing, skylight frames should be completely wrapped in VELUX adhesive skylight underlayment supplied with the flashing. This underlayment must be applied before installing the flashing.

**Note:** If snow accumulation on the roof is likely, waterproofing is achieved by installing a continuous self-adhesive waterproof membrane beneath the roofing material and flashing material. VELUX adhesive skylight underlayment around the skylight frame must be properly integrated with waterproof membrane on roof decking.

Peel off backing from VELUX adhesive skylight underlayment prior to applying it to roof decking and skylight frame. Ensure that surfaces are clean, dry and free of debris.

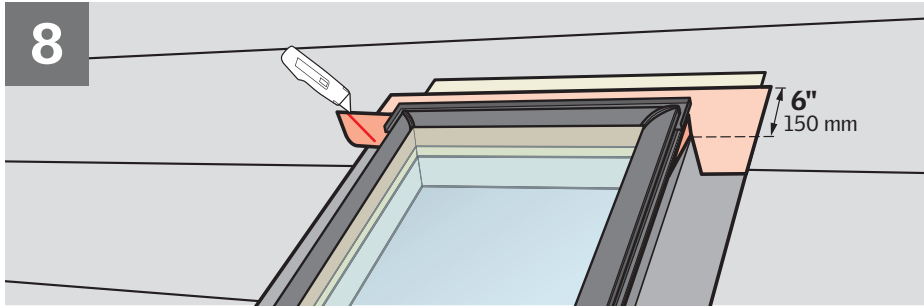
Wrap the bottom frame and corners of the skylight with the underlayment and create water-shedding laps over roofing underlayment.

**Note:** Observe the measurements stated.

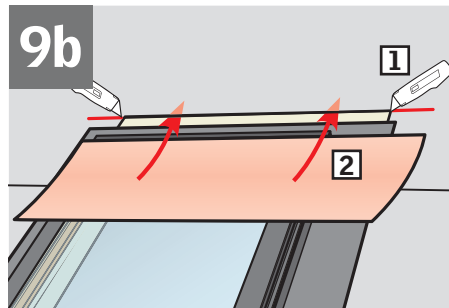
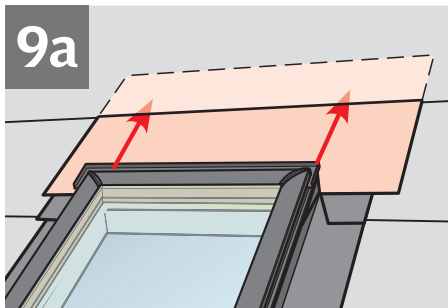
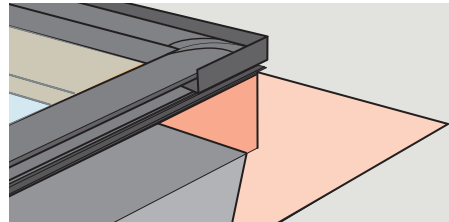
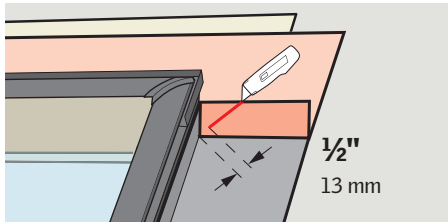


**ENGLISH:** Wrap the side frames and corners of the skylight with VELUX adhesive skylight underlayment and create water-shedding laps over roofing underlayment.

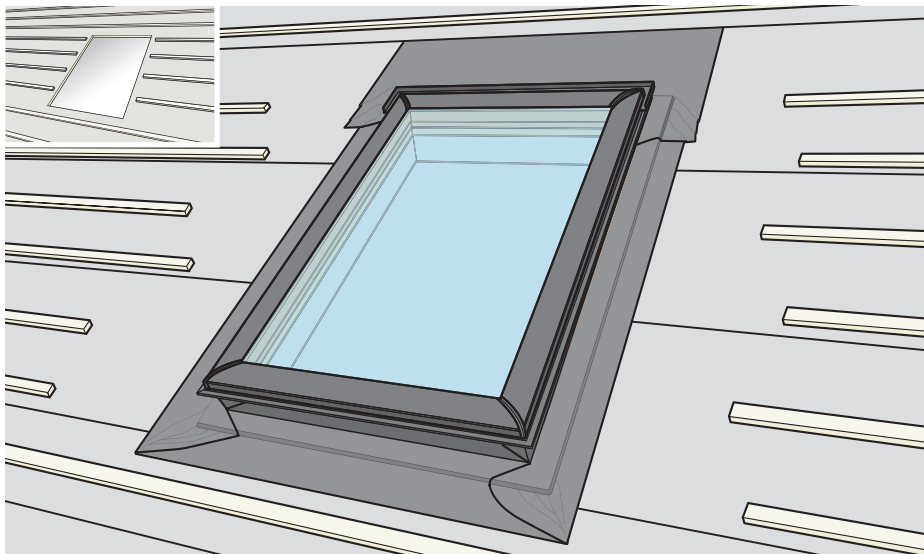
**Note:** Observe the measurements stated.



**ENGLISH:** Wrap the top frame and corners of the skylight with VELUX adhesive skylight underlayment and create proper water-shedding lap.

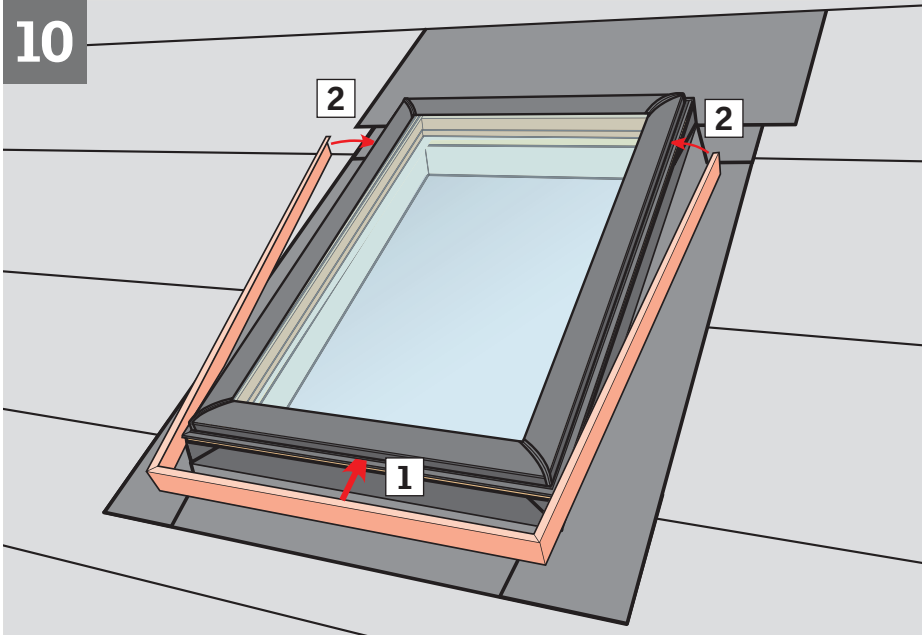


**ENGLISH:** To allow for proper drainage, interweave roofing underlayment as shown in 9a for new construction applications. For retrofit applications, interweave roofing underlayment as shown in 9b.

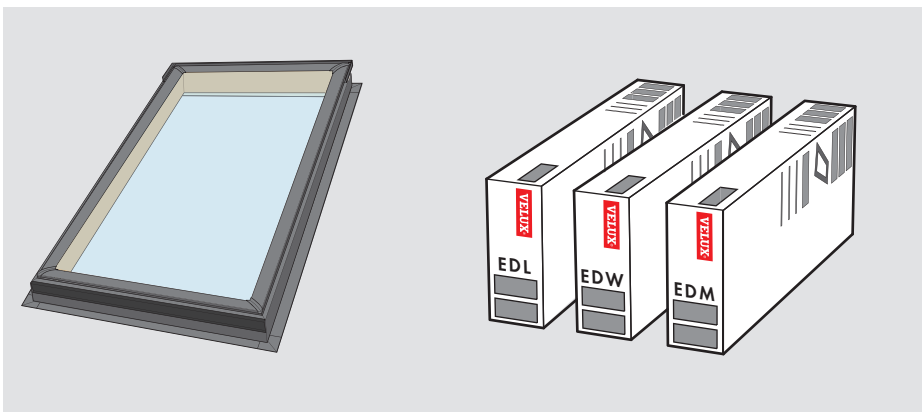


**ENGLISH: Installing VELUX adhesive skylight underlayment on roof with battens:** Refer to installation instructions included with flashing EDW and VELUX adhesive skylight underlayment.

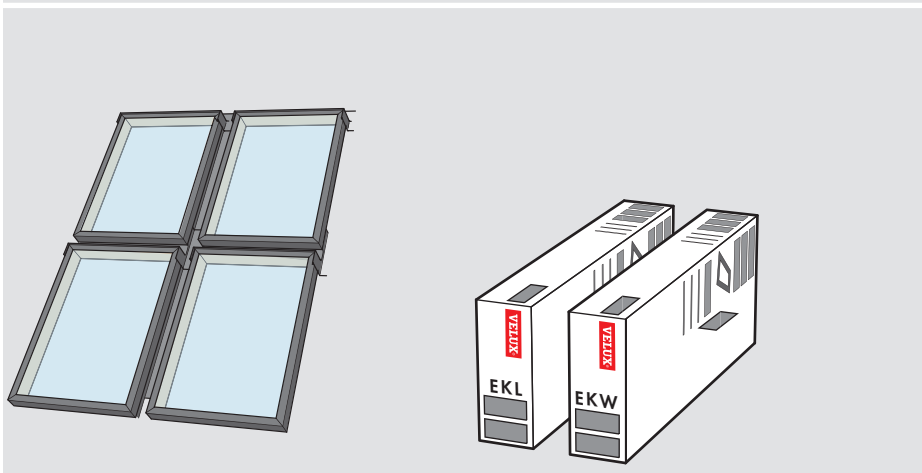
10



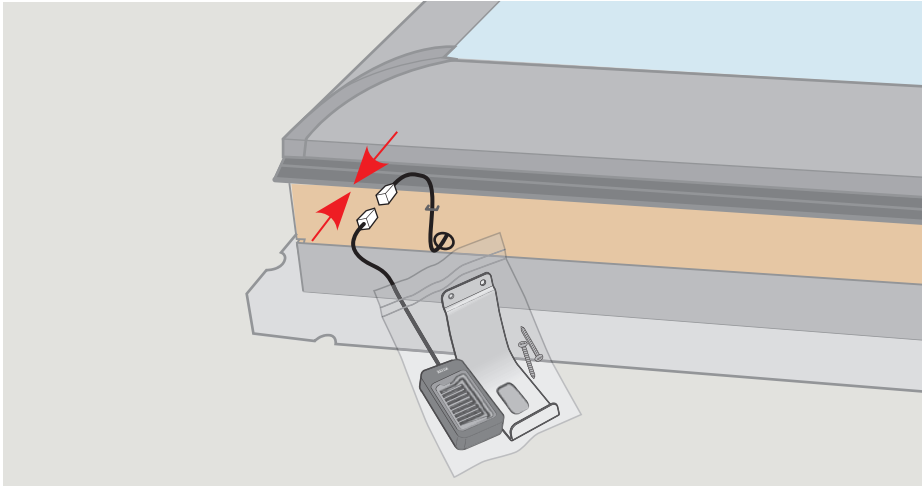
**ENGLISH:** You are now ready to install the flashing. If the flashing is not to be installed immediately, reinstall cladding.



**ENGLISH:** For flashing information, see instructions supplied with the relevant flashing.

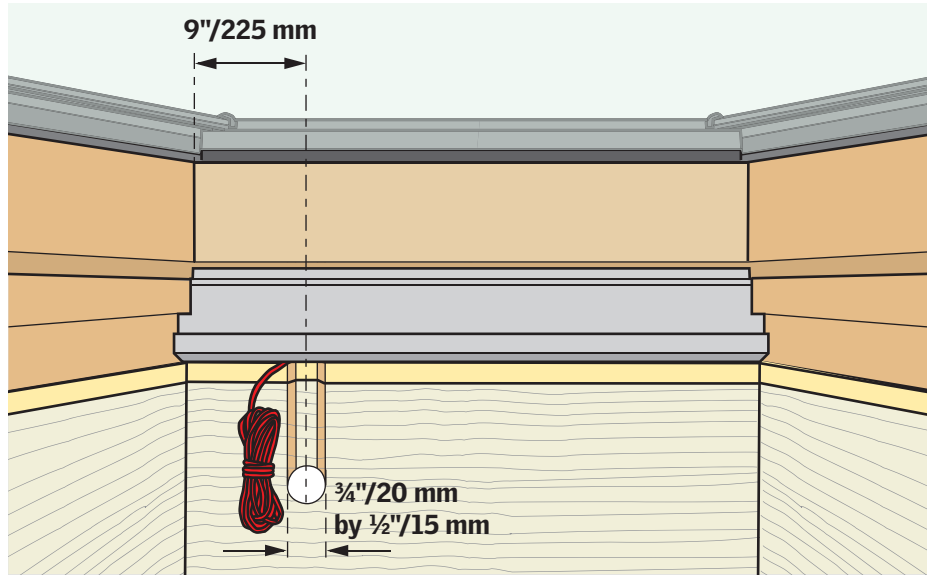


# VSE

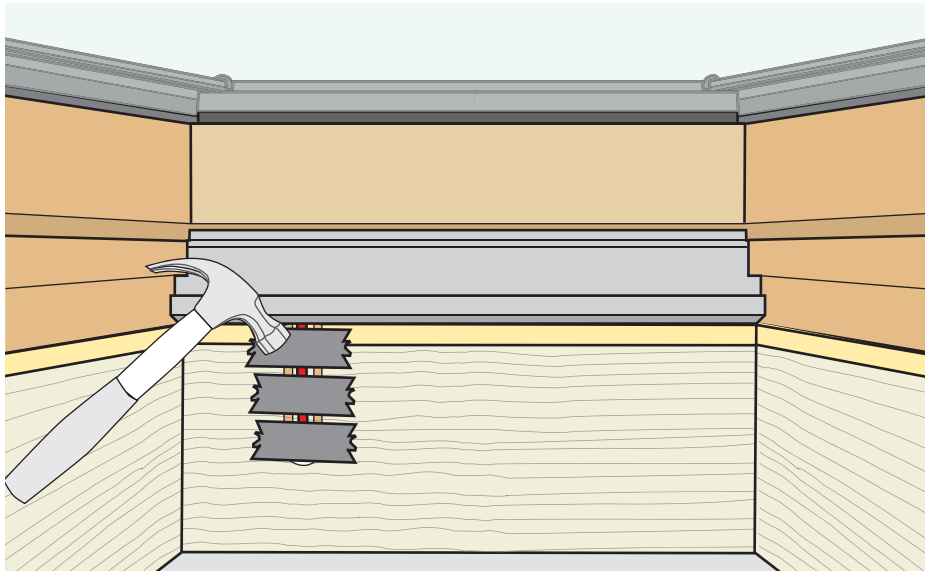
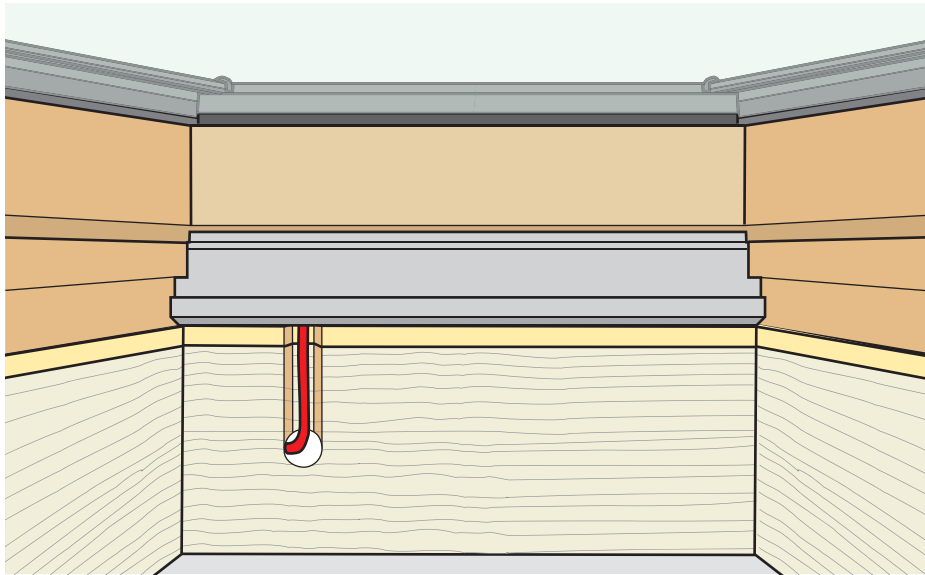


**ENGLISH:** Connect the rain sensor as shown and leave the bag with its contents on exterior side for attachment during installation of flashing. Make sure that the wire and the bag is protected while installing the skylight, wrapping the frame and installing the flashing.

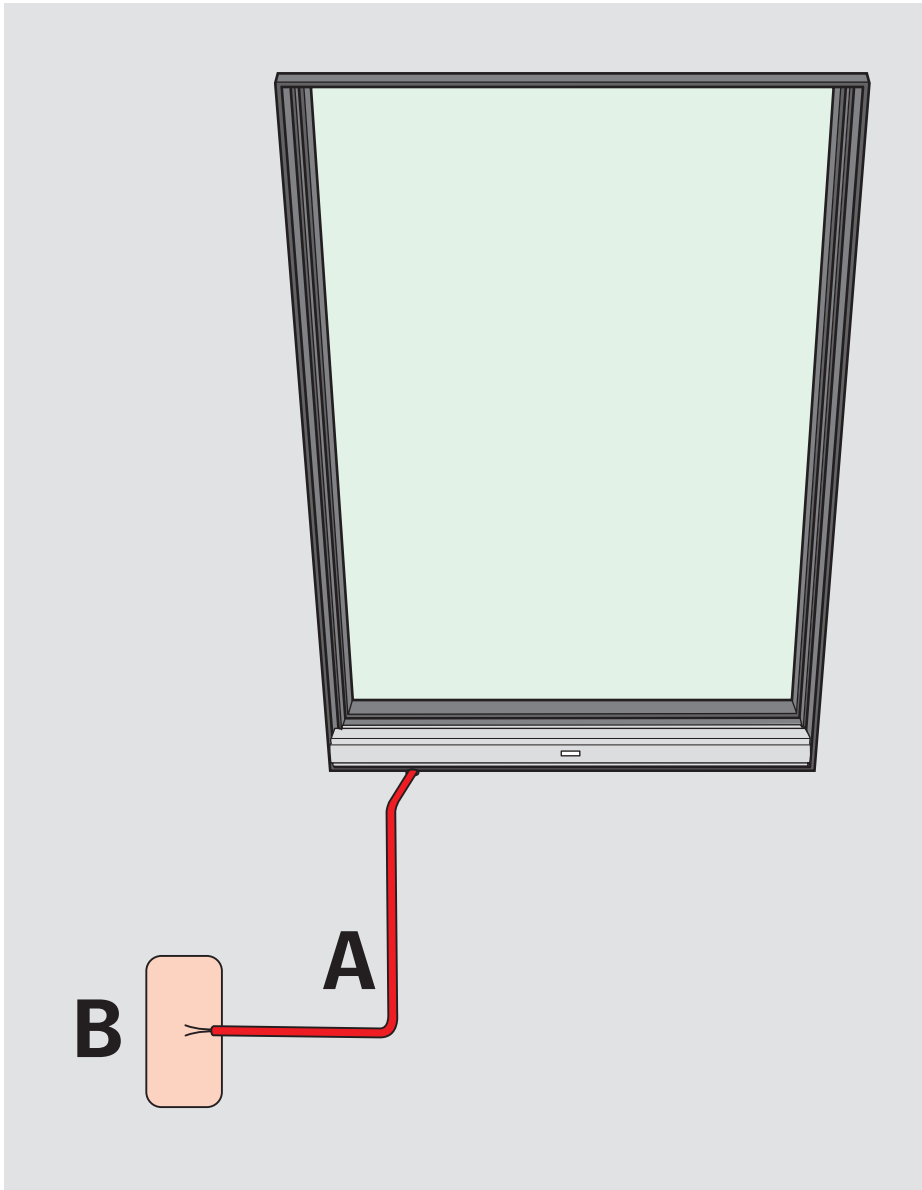
# VSE



**ENGLISH:** Prepare the framing for electrical wire (applies to VSE only). Refer to national Electric Code for wire routing details.



# VSE



**ENGLISH:** A junction box or an outlet box (not provided with skylight) is required for connection of the 20 ft (6 m) skylight wire.

A single phase 120 V, 60 Hz, 60 W branch circuit (continuous electrical feed) is required. The branch circuit must be protected by a 15 A circuit breaker or time delay fuse.

The junction or outlet box in which the skylight power supply cable is terminated must be accessible for inspection after installation is complete. A listed junction or outlet box and listed wire nuts must be used for marking the connection to the branch circuit.

**A**

**ENGLISH:** Cable (supplied with skylight): 20 ft (6 m)

**ESPAÑOL:** Cable (suministrado con el tragaluz): 20 pies (6 m)

**FRANÇAIS :** Câble (fourni avec le puits de lumière): 20 pi (6 m)

**B**

**ENGLISH:** Junction or outlet box (not provided with skylight)

**ESPAÑOL:** Caja de empalmes o distribución (no suministrado con el tragaluz)

**FRANÇAIS :** Boîtier de raccordement (non fourni avec le puits de lumière)



**ENGLISH:**

**Home owner information**

**Please complete and give to home owner.**

Date: .....  
Product number: .....  
Quantity: .....  
Flashing .....  
Accessories installed: .....  
Model ..... Size ..... Variant code .....  
Roofing material: .....  
Installation contractor: .....  
Dealer purchased from: .....

**ESPAÑOL:**

**Información del propietario**

**Completar y entregar al propietario.**

Fecha: .....  
Número de producto: .....  
Cantidad: .....  
Tapajuntas: .....  
Accesorios instalados: .....  
Modelo ..... Tamaño ..... Código de variante .....  
Material de cubierta: .....  
Instalador: .....  
Distribuidor al que se compró el producto: .....

**FRANÇAIS :**

**Information pour le propriétaire occupant**

**Veillez compléter et remettre au propriétaire occupant.**

Date : .....  
Numéro de produit : .....  
Quantité : .....  
Solin: .....  
Accessoires installés : .....  
Modèle ..... Dimension ..... Code .....  
Matériel de toiture : .....  
Entrepreneur en installation : .....  
Détaillant : .....

**USA:** VELUX America Inc.  
1-800-88-VELUX

**CDN:** VELUX Canada Inc.  
1 800 88-VELUX (888-3589)

[www.velux.com](http://www.velux.com)